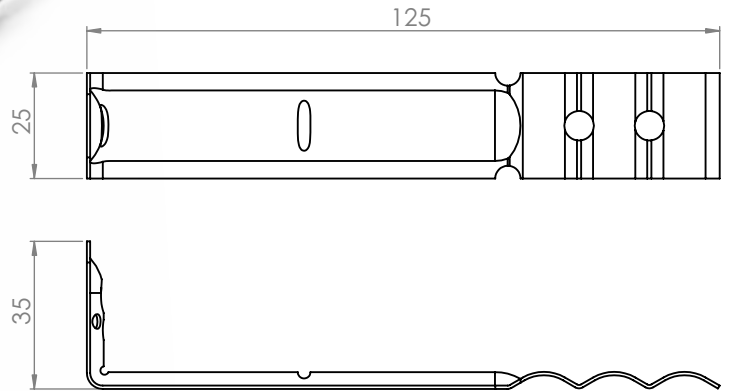


# Medium Duty Fast Fix Veneer Wall Tie



## DESCRIPTION

Medium duty fast fix veneer wall tie.  
 Save installation time with the pre installed multi purpose screw for timer and metal framing.  
 Supplied with the extra long driver bit to make installation easy as well as fast

## FEATURES

- Clay brick
- Maximum cavity 75mm
- **Fast installation** due to the pre installed Cerra multi purpose screw
- **Easy installation** due to the included long reach driver
- Universal applications
- Australian design & tested AS/NZS 2699.2:2020 tested, meet the requirements for medium duty classification both in compression and in tension.

## SIZES

Standard Sizes : 125mm

## FIXING REQUIREMENTS

- Pre installed Cerra multi purpose screw for metal and timber framing

## CORROSION CHARACTERISTICS

**CGT12-MD-FF**  
 Hot dipped galvanised (R3)  
 Conforms to corrosion resistance set by AS/NZS 2699.2:2020 / AS 3700.

**CERRA MULTI PURPOSE SCREW**  
 Hex head 10g X 35mm (Metal / Timber)

## ORDERING INFORMATION

When ordering please supply use with the part number and quantity you require

**CGT12-FF**

PRODUCT CODE



Datasheet